

GMC-YN016HP Heat Resistant Ultra Thin Magnetic Catch

Features

- Suitable for high temperature environments up to 250°C
- Anti rust: made of stainless steel
- Ultra thin magnetic catch of 2.8 mm thick ideal for tight spaces
- Small body with strong magnetic force (samarium cobalt magnet)
- Available for purchase as single magnetic catch only or as a set including magnetic catch, counter plate and screws
- Installation with rivet is possible



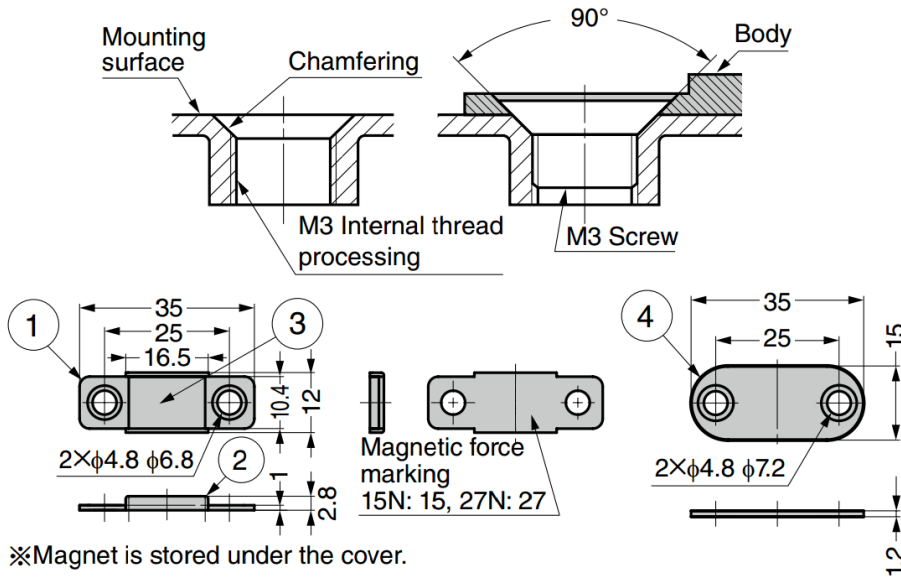
Notes

- Counter plate should be in contact with the yokes on both sides and should not be in contact directly with the cover. Direct contact may break the magnet.
- Recommended to chamfer the mounting surface for screws and rivets installation. This ensures minimal projection when the body is fixed (refer to "Cut Out Dimensions and Installation Example")
- Recommended screws: Countersunk head screw M3 or countersunk head wood screw nominal 3.1

Parts Included

- For **GMC-YN016HPP** only:
 - Counter plate
 - Countersunk head tapping screw 3×14 (SUS)

Cut Out Dimensions and Installation Example - For M3 Screw



No.	Part Name	Material	Finish
①	Yoke	Stainless Steel (SUS430)	Barrel Polished
②	Cover	Stainless Steel (SUS304)	Plain
③	Magnet	Samarium Cobalt	
④	Counter Plate	Stainless Steel (SUS430)	Barrel Polished

Part No.	Type	Magnetic Force	
GMC-YN016HP-15	Magnetic catch only	15 N	1.5 kg
GMC-YN016HPP-15	Magnetic catch, counter plate & screws		
GMC-YN016HP-27	Magnetic catch only	27 N	2.8 kg
GMC-YN016HPP-27	Magnetic catch, counter plate & screws		